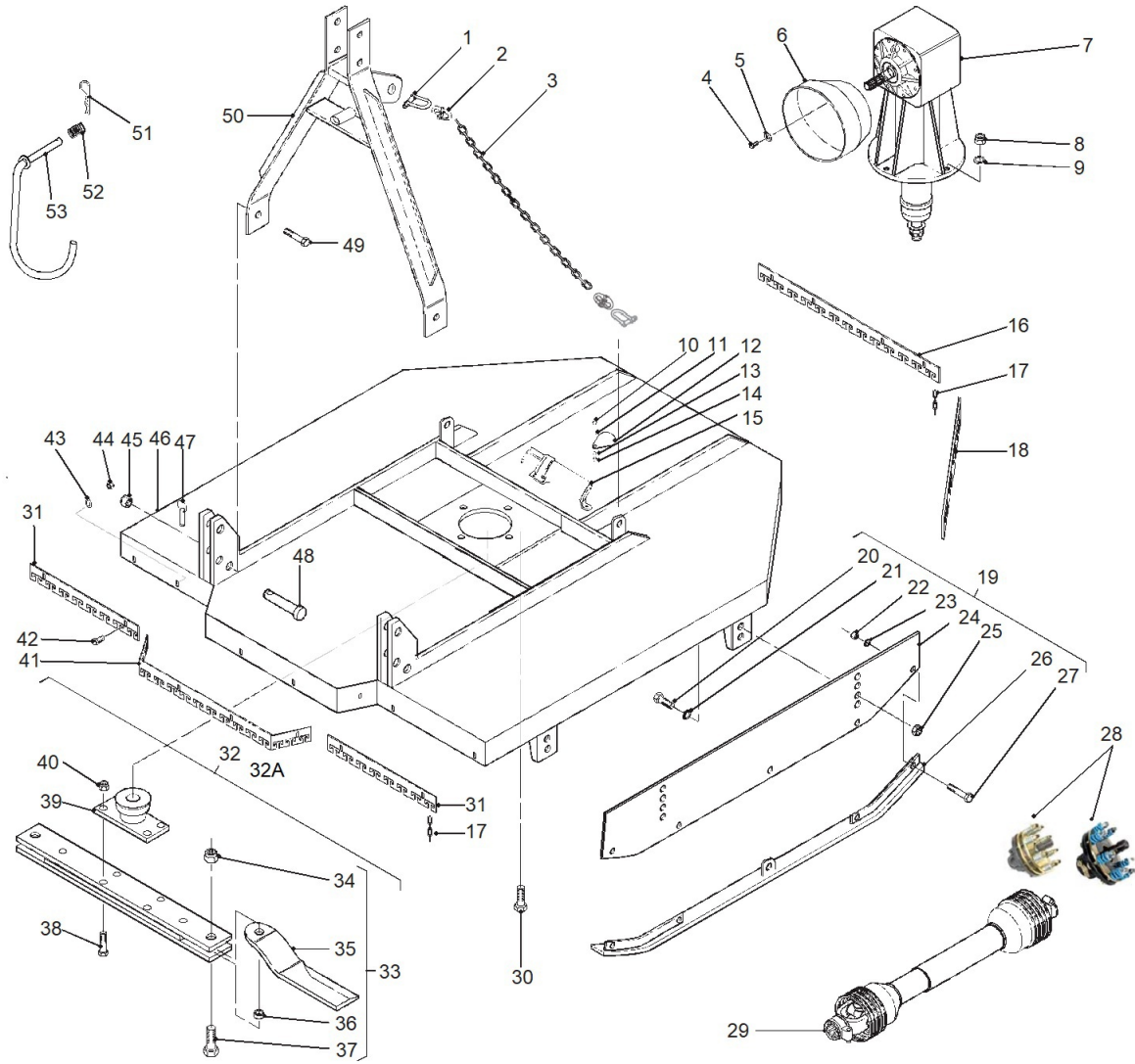


145 SERIES CONTRACTING



**SLASHER
CONTRACTOR**

Part No.
145CS Series



145 SERIES CONTRACTING

N.	Code	Description	Qty	Note	EAN CODE
1	072-01	SHACKLE-D 16MM HD RATED	4,00		0000000313742
2	072-02	HAMMERLOCK 10MM	4,00		0000000313759
3	072-03	CHAIN 13MM EHD	1,25		0000000313766
4	B5/16L1/2	SET SCREW 5/16BSW X 1/2 4.6 ZP	0,00		0000000174107
5	W3/8FT	WASHER FLAT 3/8 X 1 1/4 X 16G ZP	4,00		0000000283144
6	103-AS8309	SAFETY COVER SLASHER LARGE	0,00		9327602139817
7	103-B4667	GEARBOX SLASHER 100HP 540 RPM	0,00		0000000107297
9	WM20SP	WASHER SPRING 20MM ZP	4,00		0000000283373
10	BM12L30FT	BOLT ONLY 12X30 4.6 ZP	1,00		9327602024069
11	WM12FT	WASHER FLAT 12X24X1.6MM ZP	1,00		9327602033535
12	D145-668	BLADE CHANGE HOLE COVER	0,00		0000000321549
13	WM12SP	WASHER SPRING 12MM ZP	1,00		9327602007680
14	NM12NY	NUT NYLOC M12X1.75 DIN985	1,00		9327602032163
15	01-473	TUBE OP MANUAL 2in X 12.5in	1,00		9327602305700
16	D145-649-1	REAR CENTRE CHAIN HOLDER WS	0,00		9337027021147
17	072-08	CHAIN 8MM ZINC	4,00		0000000105729
18	D145-648-1	REAR SIDE CHAIN HOLDER	0,00		9337027021109
19	ASSKIDCS6HB-1	ASSY SKID 6FT CNTRCTR HB LENGTHENED	1,00		9337027026173
20	BM16L40	BOLT M16 X 40 4.6ZP	8,00		0000000174787
21	WM16SP	WASHER SPRING 16MM ZP	8,00		0000000283359

145 SERIES CONTRACTING

N.	Code	Description	Qty	Note	EAN CODE
22	NM12	NUT HEX STD M12 ZP	10,00		9327602054196
23	WM12SP	WASHER SPRING 12MM ZP	10,00		9327602007680
24	D145-650-2	SKID SIDE 6FT CONTRACTOR	0,00		9337027032853
25	NM16	NUT HEX STD M16 ZP	8,00		9327602055193
26	ZZ145-680-1	REPLACEABLE SKID FOOT 6FT SHIREBOSS WS	1,00		9337027021222
27	BM12L40	BOLT ONLY 12X40 4.6 ZP	10,00		0000000174527
29	103-CB8105	PTO SHAFT 110HP	0,00		9337027030170
30	BM20L80	BOLT M20X80 4.6 ZP	4,00		0000000175012
31	D145-646-1	FRONT SIDE CHAIN HOLDER WS	0,00		9337027021154
32	ASROTOR6SSHB	ASSY ROTOR 6FT SPRING STEEL	1,00	6' SLASHER	9327602194236
32A	ASROTOR7SSHB	ASSY ROTOR 7FT SPRING STEEL	1,00	7' SLASHER	9327602194496
33	WBK3	BLADE KIT CONTRACTOR	1,00		9327602029859
34	N7/8UNFNY	NUT 7/8 UNF NYLOC	0,00		9337027021093
35	103-B6002	BLADES STEPPED	0,00		9327602142091
36	103-003	BUSH SUIT 103-B6002 SLASHER BLADE 32MM OD	2,00		0000000314220
37	B7/8L3	BOLT 7/8IN X 3IN UNF 8.8 NO NUT	2,00		9327602036178
38	BM16L70HT	BOLT HT	0,00		0000000317214
39	ZZ145-100B	BOSS ASSY BARECO 100HP S/S ROTOR	0,00		0000000309325
40	NM16NY	NUT NYLOC M16 ZP	4,00		9327602031432
41	D145-647-1	FRONT CENTRE CHAIN HOLDER WS	0,00		9337027021116

145 SERIES CONTRACTING

N.	Code	Description	Qty	Note	EAN CODE
42	BM12L40	BOLT ONLY 12X40 4.6 ZP	18,00		0000000174527
43	WM12FT	WASHER FLAT 12X24X1.6MM ZP	18,00		9327602033535
44	NM12	NUT HEX STD M12 ZP	18,00		9327602054196
45	NM20NY	NUT NYLOC M20 ZP	2,00		9327602030428
46	ASDECKSB6HB	ASSY DECK 6 SHIREBOSS HB 130HP	1,00		0000000320504
47	103-B6	LYNCH PIN 7/16 IN	2,00		9327602142879
48	103-B216	PIN LINK CAT 2	0,00		9327602140813
49	BM20L60HT	BOLT ONLY 20X60 8.8 ZP	0,00		0000000174992
50	ZZ145-621	QUICK HITCH CONTRACTOR A-FRAME	0,00		9337027013371
51	103-BS8	R-CLIP 2mm	1,00		0000000318426
52	033-33	SPRING 15.87 X 35 X 1.37 ZP	1,00		0000000337472
53	ZZ145-605	HOOK LARGE SLASHER PTO	0,00		9337027018918