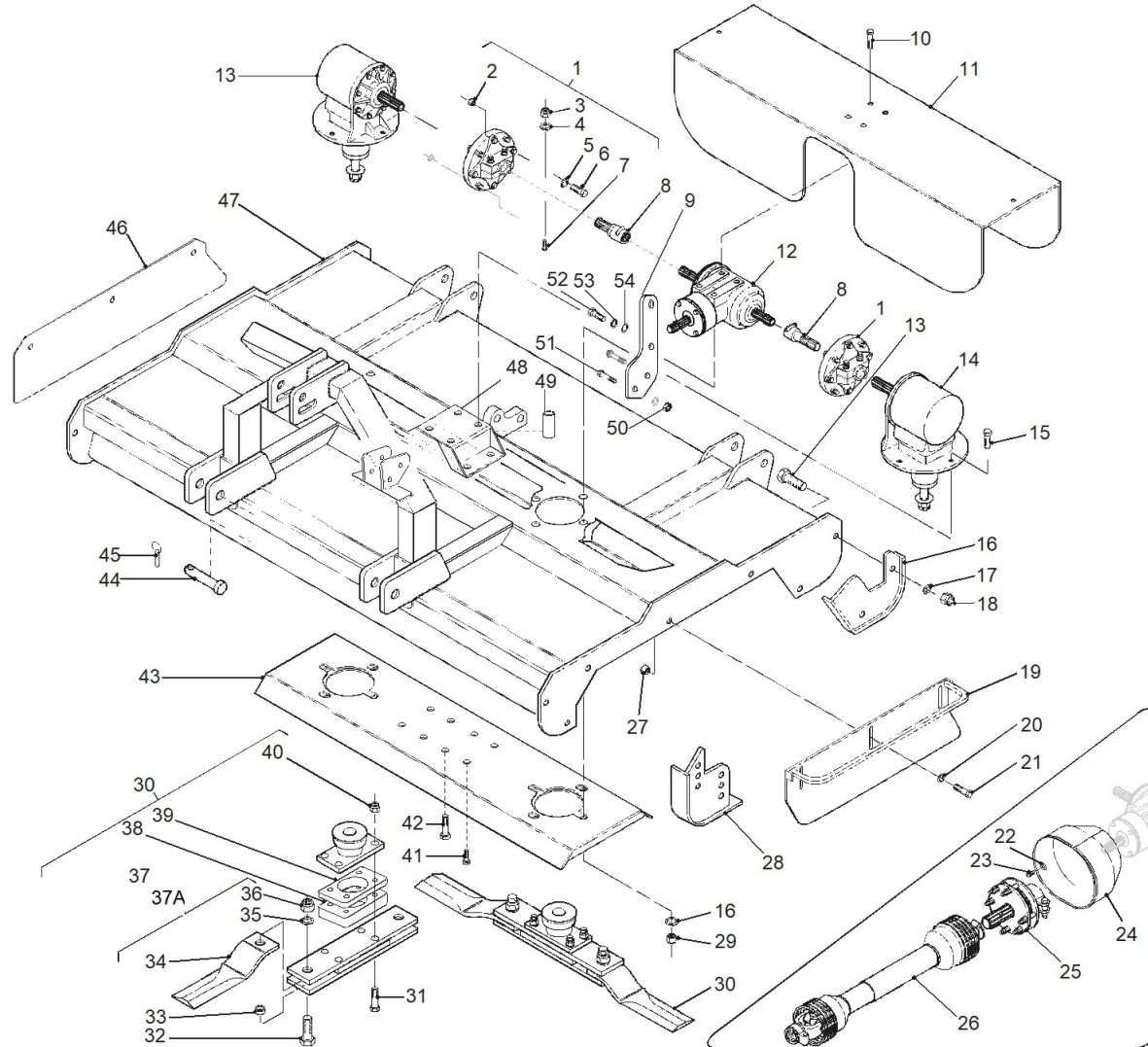


105 SERIES VINEBOSS



**SLASHER  
VINEYARD**

Part No. 105VS Series



105 SERIES VINEBOSS

N.	Code	Description	Qty	Note	EAN CODE
1	103-B6607	COUPLING-FLEXIBLE	1,00		9337027025060
2	NM16NY	NUT NYLOC M16 ZP	2,00		9327602031432
3	NM12	NUT HEX STD M12 ZP	3,00		9327602054196
4	WM12SP	WASHER SPRING 12MM ZP	4,00		9327602007680
5	WM16FTHD	WASHER 16MM FLAT HEAVY DUTY	5,00		0000000309776
6	BM16L60HT	BOLT ONLY 16X60 8.8 ZP	6,00		0000000174848
7	BM12L75HT	BOLT ONLY M12X75 8.8 ZP	7,00		0000000174626
8	103-B154	ADAPTOR 1 3/8 M & F	8,00		0000000323833
9	ZZ105-670	TRANSFER BOX RISER	9,00		0000000329651
10	B5/8L1UNC	BOLT 5/8X1 UNC 4.6 ZP	10,00		9327602304307
11	ZZ105-612	COVER GEARBOXES PLATED	11,00		9327602188716
12	103-B7153	GEARBOX CENTRE TWIN ROTOR	12,00		9327602322301
13	BM16L50	BOLT M16X50 4.6 ZP	13,00		0000000174800
14	103-B6667	GEAR BOX SLASHER 75HP	14,00		0000000107327
15	BM20L60	BOLT M20X60 4.6 ZP & NUT	15,00		0000000174985
16	ZZ105-602L	LH REAR SKID-VINYRD SLASHER 66	16,00		9327602187535
17	WM16SP	WASHER SPRING 16MM ZP	17,00		0000000283359
18	NM16	NUT HEX STD M16 ZP	18,00		9327602055193
19	ZZ105-662	SIDE GUARD -6' VNYARD SLASHE	19,00		0000000319638
20	WM12FT	WASHER FLAT 12X24X1.6MM ZP	20,00		9327602033535

105 SERIES VINEBOSS

N.	Code	Description	Qty	Note	EAN CODE
21	BM12L40	BOLT ONLY 12X40 4.6 ZP	21,00		0000000174527
22	W3/8FT	WASHER FLAT 3/8 X 1 1/4 X 16G ZP	22,00		0000000283144
23	B5/16L1	BOLT	23,00		0000000174091
24	103-AS8309	SAFETY COVER SLASHER LARGE	24,00		9327602139817
25	103-B3605	CLUTCH 60/75HP	25,00		0000000107174
26	103-AB6105	SHAFT PTO 60HP PTO SHAFT	26,00		0000000107051
27	NM12NY	NUT NYLOC M12X1.75 DIN985	27,00		9327602032163
28	ZZ105-601L	LH FRONT SKID-VNYRD SLASHER 66	28,00		9327602187504
29	NM20NY	NUT NYLOC M20 ZP	29,00		9327602030428
30	ASROTOR6VS	ASY ROTOR 6FT VNYRD NO HUB (SINGLE	30,00		0000000319607
31	BM16L120HT	BOLT ONLY 16 X 120 ZP HIGH TENSILE	31,00		0000000174732
32	B7/8L2.12	BOLT 7/8 X 2.12 HT ZP UNF	32,00		9327602207905
33	103-001	BUSH SLASHER BLADE	33,00		9327602041127
34	103-BS07161	SLASHER BLADE WARATAH/ASP HEAVY	34,00		9327602139329
35	W7/8SP	***WASHER SPRING 7/8	35,00		9327602143241
36	N7/8	***NUT 7/8 UNF	36,00		9327602055919
37	WBK4	BLADE KIT SUIT VINEYARD SLASHER	37,00	EARLY VERSION	9327602208704
37A	WBK5		1,00	LATE VERSION	9327602208704
38	D145-621C	TOP PLATE	38,00		9327602189379
39	D145-714	PLATE ROTOR 130 HP	39,00		0000000313834

105 SERIES VINEBOSS

N.	Code	Description	Qty	Note	EAN CODE
40	NM16NY	NUT NYLOC M16 ZP	40,00		9327602031432
41	BM12L50	BOLT ONLY 12X50MM 4.6 ZP	41,00		0000000309035
42	B5/8L4/12UNCHTZP	BOLT 5/8X41/2 UNC HT ZP	42,00		0000000323925
43	ZZ105-609	DECK SUPORT-VINYRD SLASHER 66	43,00		0000000316293
44	103-B216	PIN LINK CAT 2	44,00		9327602140813
45	103-B6	LYNCH PIN 7/16 IN	45,00		9327602142879
46	ZZ105-665	SIDE COVER-6FT VNYRD SLSHR	46,00		0000000319591
47	ASDECK6VS	DECK PAINTED 6FT VINYARD SLSHR	47,00		0000000319539
50	NM16	NUT HEX STD M16 ZP	50,00		9327602055193
51	BM16L50	BOLT M16X50 4.6 ZP	51,00		0000000174800
52	B5/8L11/2UNC	BOLT 5/8 X 1 1/2 UNC GRADE 8	52,00		9327602304291
53	WM16SP	WASHER SPRING 16MM ZP	53,00		0000000283359
54	WM16FT	WASHER FLAT 16MM ID ZP	54,00		9327602032316