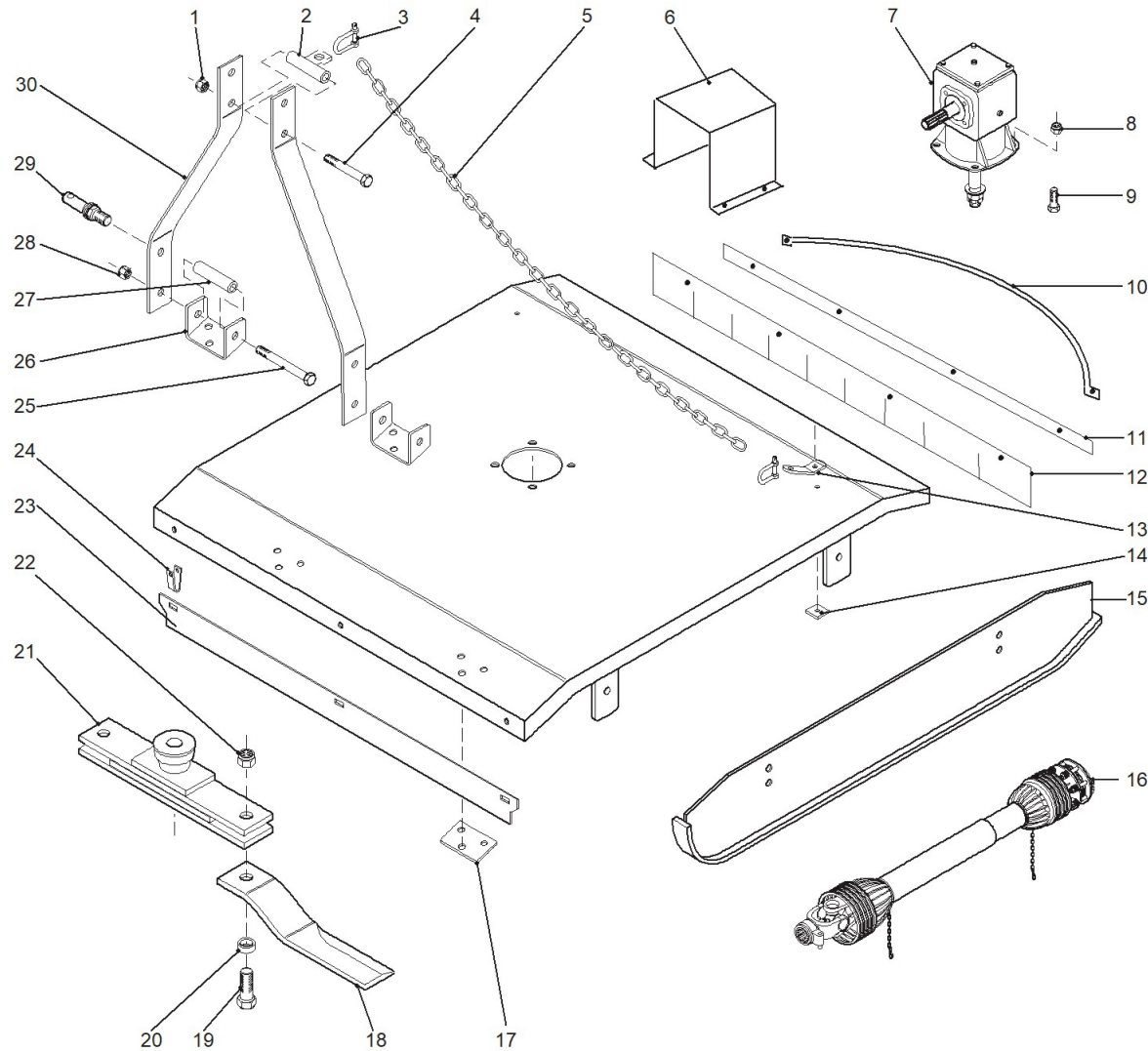


101 SERIES WEEKENDER



**SLASHER  
WEEKENDER  
3'6", 4', 4'6", 5'**

Part No 101WRS36  
101WRS4  
101WRS46  
101WRS5



101 SERIES WEEKENDER

N.	Code	Description	Qty	Note	EAN CODE
1	NM16NY	NUT NYLOC M16 ZP	7,00	Nut, Nyloc	9327602031432
2	ZZ454-410	LUG A FRAME CHAIN ATTACHMENT	0,00		0000000307949
3	JA-1609006	SHACKLE D COMMERCIAL 13MM 1/2 IN	0,00		0000000218559
4	BM16L110	BOLT M16X110 4.6 ZP	0,00		0000000174725
5	072-05	CHAIN 10MM GALV	1,00	Chain	0000000308304
6	ZZ107-505	GUARD GBOX PTO SUIT WEEKENDER SLASHER	0,00		9337027025237
7	104-40	GEARBOX 40HP SUIT WEEKENDER SLASHER	1,00	Gearbox	9337027018383
8	NM16NY	NUT NYLOC M16 ZP	4,00	Nut M16 Nyloc	9327602031432
9	BM16L50	BOLT M16X50 4.6 ZP	4,00	Bolt, M16 x 50	0000000174800
10	ZZ454-419	SAFETY GUARD PIPE 950mm CC	0,00		9337027025190
12	ZZ102-363	GUARD RUBBER 3FT 6 GP SLASHER	0,00		9337027022168
14	454-410	PLATE UNDER DECK CHAIN LUG SUPPORT	2,00	Plate Under Deck Chain Support	9327602175419
15	ZZ102-3610	SKID 3FT 6 GP SLASHER	1,00		0000000308342
16	104-42	PTO WITH CLUTCH SUIT WEEKENDER SLASHER	1,00	PTO Shaft with Friction Clutch	9337027018406
17	ZZ454-411	PLATE UNDER DECK A-FRAME BRACKET	0,00		0000000308236
18	103-BS07453	SLASHER BLADE WARATAH/ASP LIGHT	2,00	Blade	9327602162433
19	B7/8L2.12	BOLT 7/8 X 2.12 HT ZP UNF	0,00		9327602207905
20	103-001	BUSH SLASHER BLADE	2,00	Hardened Bush	9327602041127
21	ZZ103-3613	ROTOR 3FT 6 SLASHER NO HUB	1,00		0000000286183
22	N7/8UNFNY	NUT 7/8 UNF NYLOC	0,00		9337027021093

101 SERIES WEEKENDER

N.	Code	Description	Qty	Note	EAN CODE
23	ZZ454-414	PLATE GUARD 3FT6 GP SLASHER	0,00		0000000308557
24	ZZ454-413	BRACKET HINGE PLATED	0,00		0000000308533
25	BM16L170	***BOLT M16 X 170 4.6 ZP	0,00		0000000308632
27	ZZ454-412	PIPE NB15 LIGHT X 120MM	0,00		0000000308243
28	NM16NY	NUT NYLOC M16 ZP	2,00	Nut	9327602031432
29	103-B200	LINKAGE PIN CAT 1	0,00		9327602139862
30	ZZ102-412	A FRAME GEN PURP SLASHER ONE SIDE	0,00		0000000307413